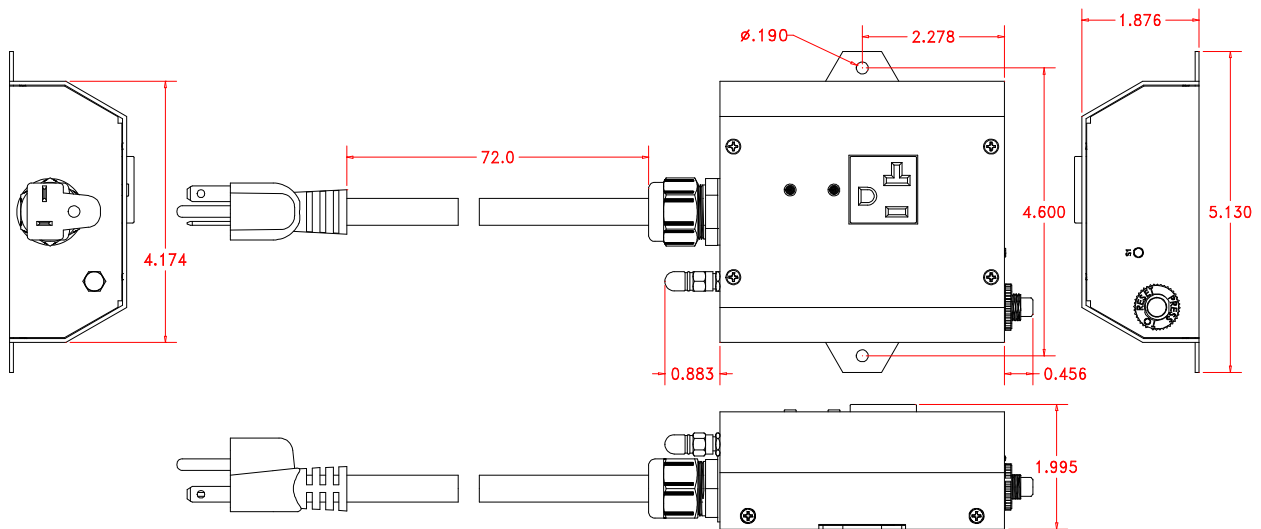




SMART STINGER PLUG 1 (SS1)

- Multiple Safeguards. SmartBee Stinger Smart Strip 1 is made of high-quality materials. Support 110~125V, Maximum total output of 20A. A circuit breaker automatically breaks off when the total current exceeds threshold, preventing the plugged-in device(s) from damages.
- Independent control of the 110~125VAC receptacle.
- Works with and controlled through SmartBee Hive controller. Linked via secure mesh radio network.
- Specification:
 - Model: 200143 - Stinger Smart Strip 1 (SS1)
 - Size: 4.65" x 5.13" x 2.00"
 - Weight: 0.5 lbs.
 - Working Temp: -30 ~ 70 Deg C
 - Input Voltage: 110-120Vac
 - Input Amps: 20Amps Maximum
 - Output Amps: 20Amps Maximum Load
 - Power Loss (Consumption) @120Vac 1.5W (0.0125 Amps)



3460 Marron Road, Suite 103-112, Oceanside, CA 92056 | +1 (888) 936-9277

smartbeetechnology.com | sales@smartbeecontrollers.com

Doc Part Number 940015 Revision C