

**CO2 Control Room**

- 1 LTH Pro (or more)
- Set Desired (typically 1100-1300 ppm) and Evac (default 4500 ppm) CO2 Levels
- Set Desired Lighting Schedule (CO2 not released when Lights are scheduled off)
- 1 DCC8 Port Controls CO2 Release Valve in Room (Emit device)
- 1 DCC8 Port Controls Alarm (Evac Device)
- 1 DCC8 Port or SS1 Port Controls Exhaust Fan (Evac Device)

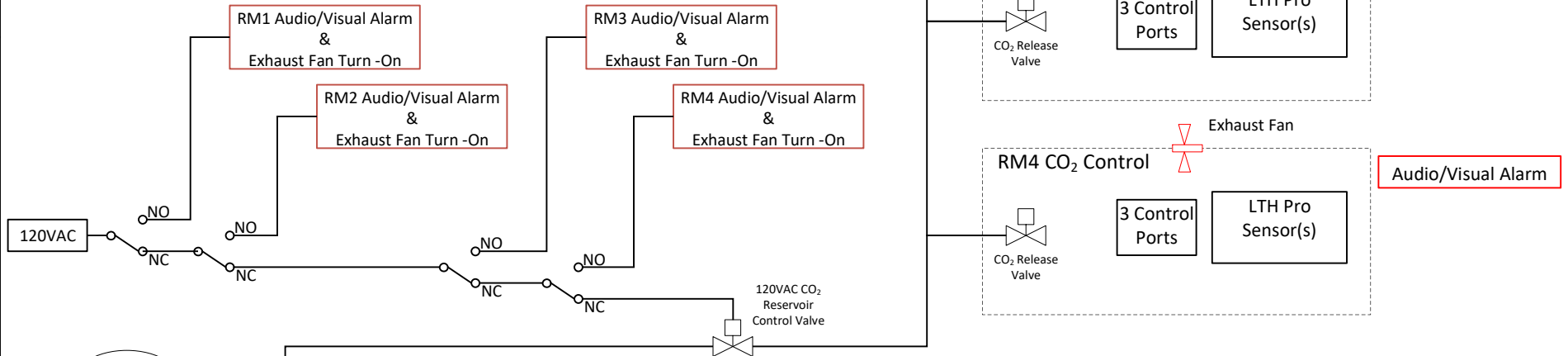
**Normal Operation**

- Sensor(s) Detects CO2 is Below set Level
- All Emit Devices Activated
- CO2 Release in Room Initiated, stays on until Level is 50 ppm above the CO2 Level set

**Emergency Operation**

- Sensor Detects CO2 Above Alarm Level
- All Evac Devices activated
- Reservoir Control Valve Opened, Shutting Off CO2 Supply
- Audio/Visual Alarm Triggered Outside Room with High Detected level
- Exhaust Fan Activated in Room with High Detected level.
- Alarm condition will persist until the CO2 is level 100 ppm above desired set point

Note: No CO2 discharge is possible if 120VAC is lost



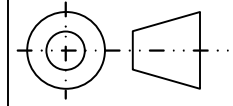
-	CHANGE DESCRIPTION	XX	99/99/99
-	CHANGE DESCRIPTION	XX	99/99/99
-	CHANGE DESCRIPTION	XX	99/99/99
-	CHANGE DESCRIPTION	XX	99/99/99
A	Release	FL	10/5/19
X1	Initial Release for internal Review	FL	10/4/19
REV	DESCRIPTION OF CHANGE	APPROVED (initials)	DATE

UNLESS OTHERWISE SPECIFIED:  
 DIMENSIONS ARE IN INCHES.  
 TOLERANCES ON:  
 DECIMALS  
 .X = ±0.030"  
 .XX = ±0.020"  
 .XXX = ±0.010"

Drawn By: Frank Luce Date: 10/4/19  
 Designed By: M Mazzone Date: 10/4/19  
 Approved By: M Mazzone Date: 10/4/19

**SMARTBEE TECHNOLOGY**  
 3460 Marron Road  
 Suite 103-112  
 Oceanside, CA 92056

Description:  
**Basic CO2 System Control Diagram**



Scale = NONE **B** 930002 REV **B**

PROPRIETARY AND CONFIDENTIAL  
 THE INFORMATION CONTAINED IN THIS DRAWING IS THE SOLE PROPERTY OF SMARTBEE TECHNOLOGY. ANY REPRODUCTION IN PART OF AS WHAOLE WITH OUT THE WRITTEN PERMISSION OF SMARTBEE TECHNOLOGY IS PROHIBITED