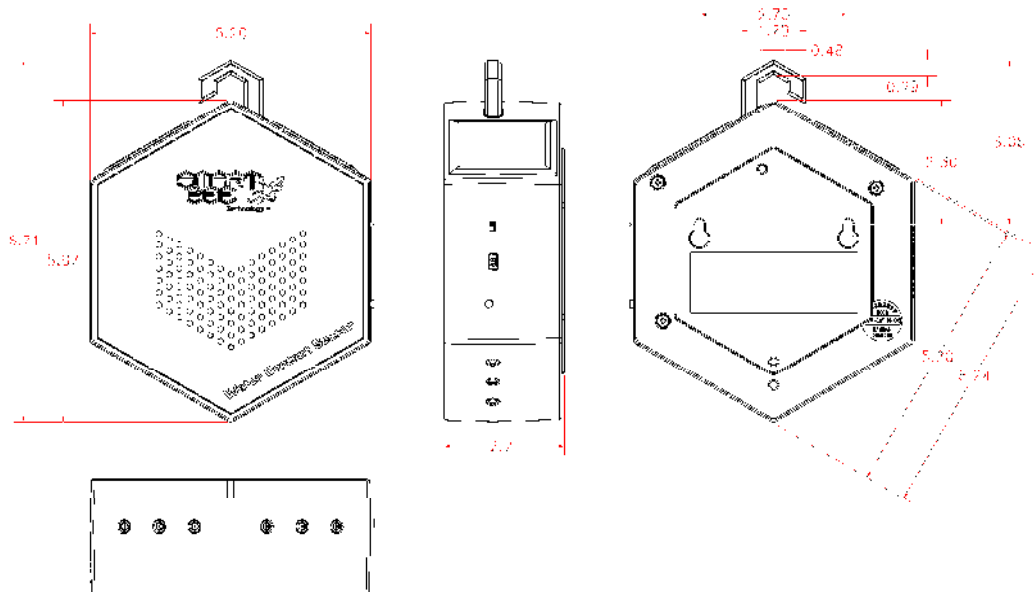


WATER CONTENT SENSOR

- Measures Volumetric Water Content and Temperature of most plant growing media
- Interfaces to Hive Gateway through a radio mesh network.
- Works with and monitors up to six (6) Water Content Sensor Probes through direct wired connection via individual probe connections.
- Specification:
 - Model: 200103 – Water Content Sensor
 - Size: 6.71" x 5.2" x 2.21"
 - Weight: 0.65 lbs.
 - Working Temp: -30 ~ 70 Deg C
 - Input Voltage: 5.0Vdc Provided from external power source (Provided)
 - Power Consumption 3.29W



3460 Marron Road, Suite 103-112, Oceanside, CA 92056 | +1 (888) 936-9277

smartbeetechnology.com | sales@smartbeecontrollers.com

Doc. Part Number 930018 Rev A