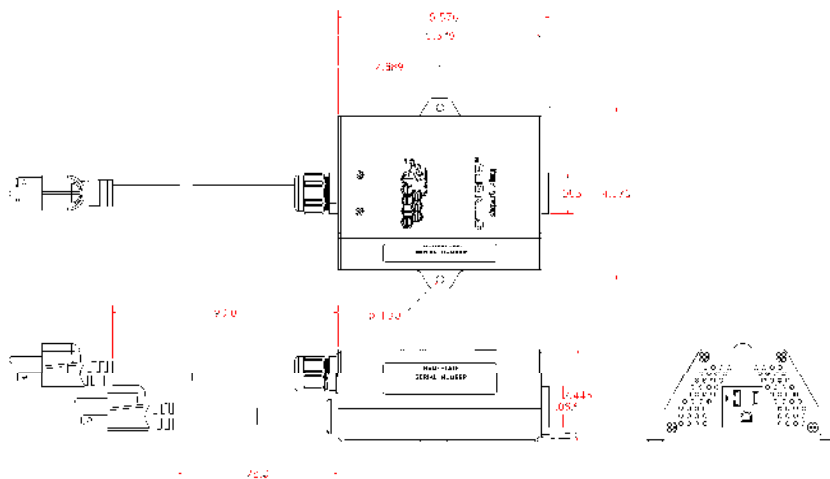


STINGER SMART CONTACTOR

- Stinger Smart Contactor is designed to support the SS1 or SS4, in that it will increase the power handling capability of the device.
- There are two (2) external cords and one (1) receptacle.
 - A 5-15P Trigger cable is to be plugged into a SS1 or SS4.
 - A 5-20P power input cable
 - A 5-20R receptacle for the load
- Specification:
 - Model: 200147 – Stinger Smart Contactor (SSC)
 - Size: 5.576" x 4.57" x 2.443"
 - Working Temp: -35 ~60 Deg C
 - Input Voltage: 120Vac (Triger) Latch @ 75Vac Release @ 18Vac release provided from SS1 or SS4 (Purchased Separately)
 - Weight: 4.65 lbs.
 - Power Consumption 2.45W



3460 Marron Road, Suite 103-112, Oceanside, CA 92056 | +1 (888) 936-9277

smartbeetechnology.com | sales@smartbeecontrollers.com

Doc. Part Number 930020 Rev A