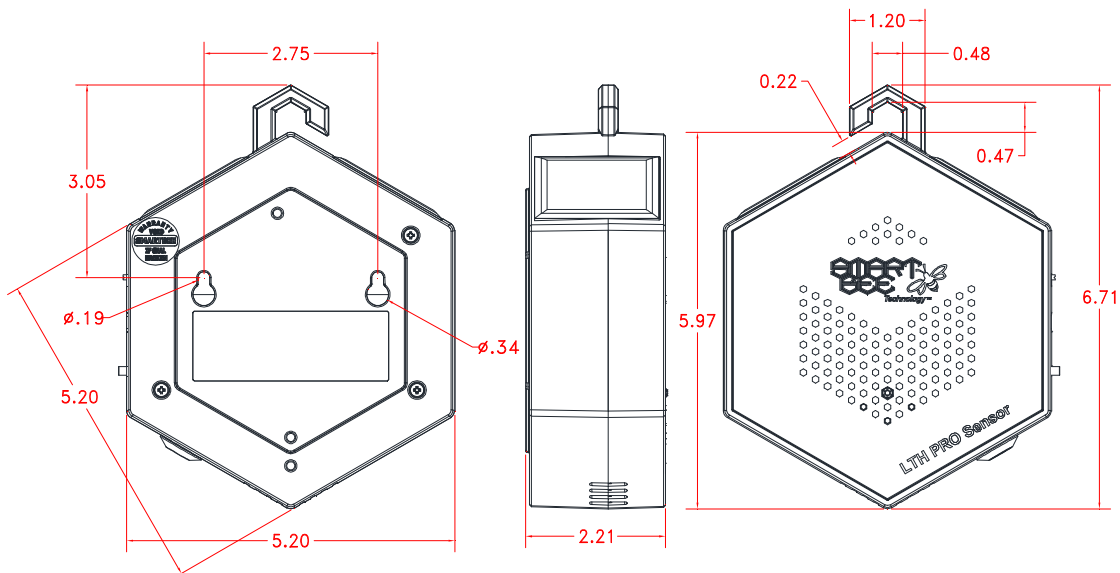


LIGHT TEMPERATURE HUMIDITY SENSOR LTH TEMPERATURE HUMIDITY PRO SENSOR

LTH and LTH Pro measures Light, Temperature, Humidity, and CO2 (LTH Pro only) interfaces to Hive Gateway through a radio mesh network.

- Specification:
 - Size: 6.71" x 5.2" x 2.21"
 - Working Temp: -30 ~70 Deg C
 - Working Humidity: 5% - 95% Non-Condensing
 - CO2 Sensing: 0 – 5000 ppm ±1% (LTH Pro Sensor Only)
 - Input Voltage: 5.0Vdc Provided from external power source (Provided)
- Model: 200101 – LTH Sensor
 - Measures: Light, Temperature, & Humidity,
 - Weight: 0.60 lbs.
 - Power Consumption 2.87W
- Model: 200147 – LTH Pro Sensor
 - Measures: Light, Temperature, Humidity, & CO2
 - Weight: 0.63 lbs.
 - Power Consumption: 3.59W



3460 Marron Road, Suite 103-112, Oceanside, CA 92056 | +1 (888) 936-9277

smartbeetechnology.com | sales@smartbeecontrollers.com

Doc. Part Number 930019 Rev A

